

MTS 1-PHASE CONTROL AND ISOLATION TRANSFORMER

P: 100VA IN: 208...550VAC OUT: 24VAC

Single-phase - Control and Isolation Transformers

100 VA

Isolation class T 40/B

Other voltages on request.

[Link to Product](#)

Illustration



Product may differ from Image

Input

| | |
|-----------------------|--|
| Input voltage | 208, 230, 380, 400, 420, 440, 460, 480, 500, 525, 550 V AC |
| Input current | 0.57 A (208 V AC); 0.21 A (550 V AC) |
| Inrush current | 9.7 A (208 V AC); 3.7 A (550 V AC) |
| Short-circuit current | 7.6 A (208 V AC); 2.9 A (550 V AC) |
| Frequency | 50...60 Hz |

Output

| | |
|----------------|---------|
| Output voltage | 24 V AC |
| Output rating | 100 VA |

General data

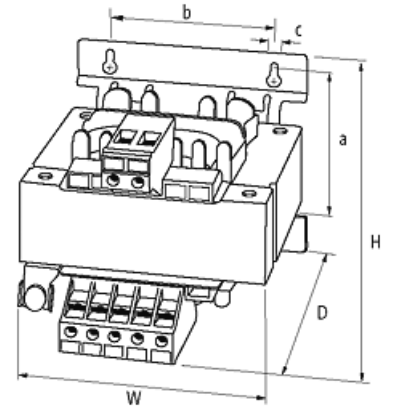
| | |
|------------------------|---|
| Standards | EN 61558-1, EN 61558-2-6, EN 62041 category 0 |
| Test isolation voltage | 6.3 kV (prim./sec.) |
| Mounting method | Key-hole mounting |
| Dimensions H×W×D | 88×84×93 mm |
| Fixing centers a×b×c | 64.5×64×4.8 mm |
| Drill hole Ø | 4.8×8.4 mm |
| Temperature range | -20...+40 °C (storage temperature -40...+80 °C) |

Commercial data

| | |
|-----------------------|---------------|
| country of origin | CZ |
| customs tariff number | 85043180 |
| EAN | 4048879372367 |
| eClass | 27031302 |

| | |
|----------------|---|
| Packaging unit | 1 |
|----------------|---|

Sketch



Product may differ from Image